

VINYL WINDOW INSTALLATION INSTRUCTIONS

The instructions presented on this sticker are **MINIMUM** installation guidelines. In many areas good building practice and/or code require integration of the window with an appropriate weather-resistive barrier and flashing. General Aluminum (GA) has detailed installation instructions for specific uses and areas of the country that we strongly recommend. These additional instructions can be obtained by contacting GA at (800) 727-0835, on the GA website www.gactx.com, or an authorized GA dealer. GA shall bear no responsibility if its products are not prepared, installed, sealed, fastened, flashed and cared for in accordance with all GA instructions, good building practice and code. GA assumes no responsibility for improper product selection or installation. It is the sole responsibility of the owner, architect, or builder to make product and glazing selections in compliance with applicable laws and building codes.

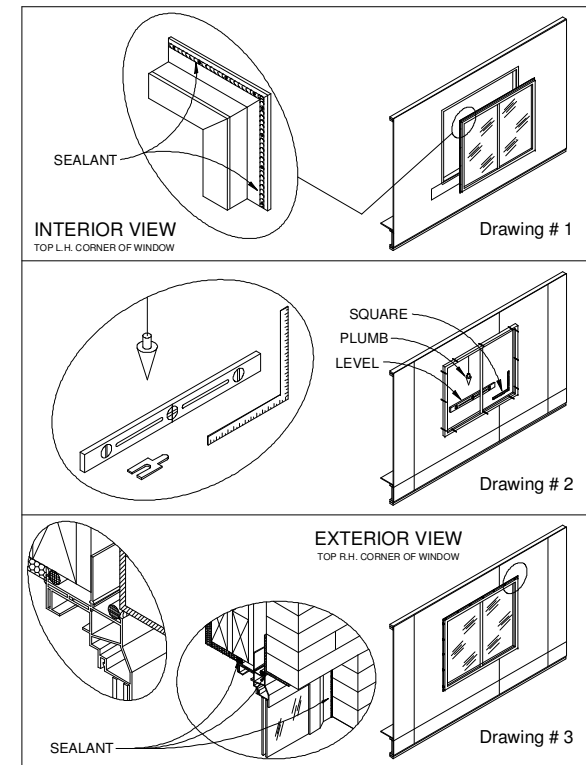
1. The rough opening (RO) shall be plumb, level, square, true and sized $\frac{1}{2}$ " larger vertically and horizontally than the GA product being installed. A maximum RO tolerance of $\frac{1}{4}$ " is allowed. If housewrap (WRB) is present the RO must be prepared in accordance with WRB manufacturers instructions. Inspect window carefully and do not install if damaged or defective.
2. Run a continuous $\frac{3}{8}$ " nominal diameter bead of appropriate sealant to the back surface of the mounting flange at the head, both jambs and sill. Apply sealant in line with any pre-punched holes or slots where it will make contact with the RO. Connect that bead of sealant across any joinery on the window frame at all four corners (see Drawing #1).
3. Set the window into the opening. Check the window for level, plumb, square and true and shim as necessary. Using appropriate fasteners that will penetrate the rough framing a minimum of $1\text{-}\frac{3}{8}$ ", fasten the window in place through the mounting flange by placing a fastener every 12" on center around the entire perimeter of the window, but not within 3" of any corner (see Drawing #2). UNDER NO CIRCUMSTANCE SHOULD THE HEAD OF THE FASTENER DISTORT OR PENETRATE THE MOUNTING FLANGE. Recheck the window for level, plumb, square and true and adjust as necessary. There should be a $\frac{1}{8}$ " to $\frac{1}{4}$ " gap between the RO and the window on the interior.
4. On the interior, apply a backer rod and a continuous interior perimeter bead of appropriate sealant, or appropriate low-pressure aerosol foam sealant, between the window and the rough opening on all sides to form an interior air/water seal (see Drawing #3). The entire interior perimeter joint shall be sealed, creating an air/water-tight condition. The exterior shall have $\frac{1}{4}$ " gap between the façade and window to allow for an appropriate exterior perimeter seal to be done by others.
5. The installer shall ensure that all sash move freely within their frames and that weather stripping or compressible seals make full contact with mating surfaces. The installer shall ensure that operable hardware such as locks, cranks, latches and hinges operate smoothly and that all locking mechanisms engage and operate properly. Drainage holes shall be inspected and freed of any obstructions to allow drainage.

WARNING - GA does not recommend the use of the following:

- Diesel fuel, kerosene, oil or any hydrocarbon fuel (wax) for cleaning;
- Inappropriate expanding foam-type insulation around the product;
- High impact power fastening equipment for installation;
- Pressure washing equipment for cleaning.

THE ABOVE MAY CAUSE DAMAGE AND VOID ALL WARRANTIES.

SCREEN DISCLAIMER - Do not leave children unattended when the window is open or unlocked. Screens are easily removed from inside and are not designed as a safety restraint.



NOTICE - Do not plug weepholes or drill into the window sill. Doing so may allow water intrusion and cause damage.