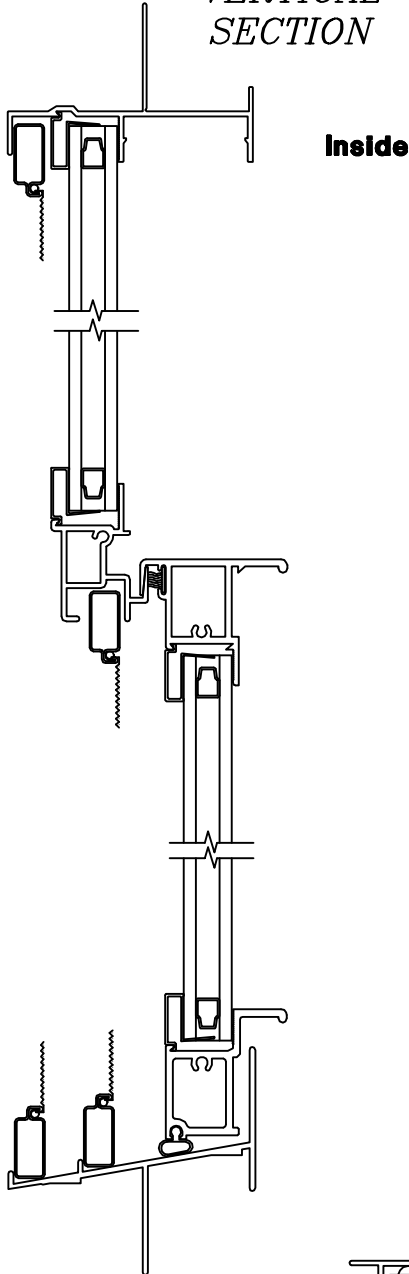




SERIES # 1900 SINGLE HUNG

*VERTICAL
SECTION*



SPECIFICATIONS

OUTSIDE WET DROP GLAZED	
SERIES # 1900- INSULATED GLASS	
INSIDE FRAME DIMENSION	HORIZONTAL: SAME AS CALL SIZE
	VERTICAL: SAME AS CALL SIZE
ROUGH OPENING	HORIZONTAL: CALL SIZE + 1/2"
	VERTICAL: CALL SIZE + 1/2"
MINIMUM SIZE I.F.D.	12" X 24"
MAXIMUM SIZE I.F.D.	52" X 96"
SIZE TESTED: AAMA/NWDA 101/I.S. 2-97 H-R40-52x72	
SIZE TESTED: AAMA/NWDA 101/I.S. 2-97 H-R30-44x84	
SIZE TESTED: AAMA/NWDA 101/I.S. 2-97 H-R20-48x96	
GLASS SIZE	HORIZONTAL: CALL SIZE - 2"
	VERTICAL: (CALL SIZE/2) - 1 3/4"
MAXIMUM OVERALL GLASS THICKNESS:	1/2"
FINISHED SCREEN SIZE	HORIZONTAL: CALL SIZE - 1 7/8"
	VERTICAL: (CALL SIZE/2) + 1/8"
U-VALUE: .62 WITH LOW-E GLASS)	
SHGC: .33 (WITH LOW-E GLASS AND WITH MUNTINS)	
STC: 27 (DSB EXT. GLASS/1/4 SPACER/SSB INT. GLASS)	
HALF SCALE	DATE: 07/27/04
DRAWN BY: FA	1900 SH.DWG

*HORIZONTAL
SECTION*

