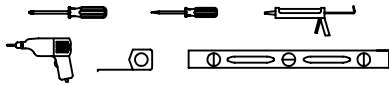


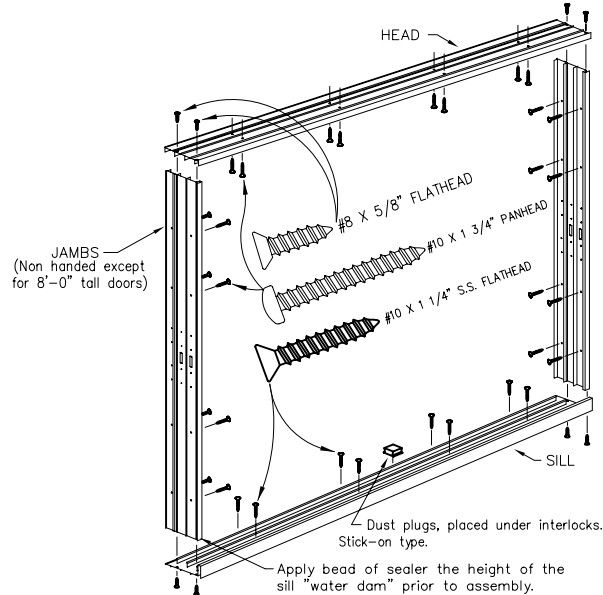
- **Series 42P/43P/44P Pocket Doors**
- **Series 430 3-Panel**
- **Series 440 4-Panel**

Installation Instructions

TOOLS REQUIRED:



- PHILLIPS & SMALL FLAT SCREWDRIVERS
- SEALER & CAULK GUN
- ELECTRIC DRILL / SCREWGUN
- TAPE MEASURE
- LEVEL
- TAPERED WOOD SHIMS
- NAILS FOR OPTIONAL NAILING FIN (CERTAIN APPLICATIONS)
- #8 COLLARLESS MASONRY ANCHORS (CERTAIN APPLICATIONS)



Caution: Before you begin, compare the overall dimensions of the frame to the rough opening. Make sure the opening is square and plumb and that there is adequate clearance (approx. 1/4" all around) for leveling and shimming.

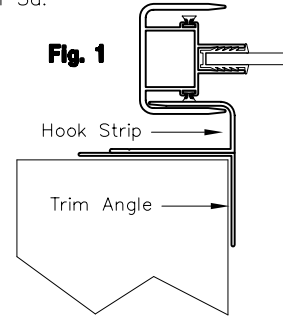
1. Layout head, jambs and sill and assemble with eight # 8 x 5/8" flathead screws. If optional nail fins are used, slide into grooves prior to assembly. Two people are recommended for assembly.

2. Apply a quality brand of non-hardening sealer such as silicone or solvent based narrow joint seamer (Schnee-Morehead #5504) to all outside corners of the frame, making sure to cover screw heads and all threads at sill.

- 3a. FOR APPLICATIONS WHERE THE SILL WILL BE SCREWED DOWN, drill out the pre-formed countersinks in the sill. Apply silicone caulk liberally to underside of sill, full length. Place frame in opening, (square, level & plumb) and install screws in all mounting holes using shims as required. For concrete slab applications, drill through holes in sill and fasten with collarless anchors. Seal all screw heads in sill.

- 3b. FOR APPLICATIONS WHERE THE SILL WILL BE "MUD" LEVELED, the American Architectural Manufacturers Association (AAMA) advises that aluminum that will be in contact with mortar or plaster should be painted with an alkali resistant paint. Prepare mortar and install frame and fasten as in 3a.

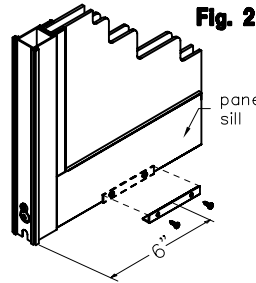
Fig. 1



4. If you are installing a "Pocket Door", attach the trim angle to the finished opening construction with fasteners of your choice. Attach the hook strip to the trim angle so that panel will interlock as shown in Fig. 1.

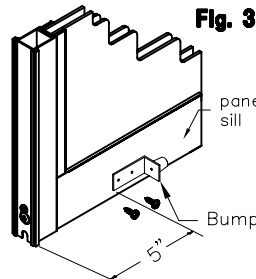
5. Using the horizontal cross sectional drawings, identify each panel that will be installed. Remember that all panels will be installed from the outside, beginning with the interior panel first, outside panel last. Attach 3" long "L" shaped clip on interior surface of each panel sill as shown on horizontal drawing with two # 6 x 3/8" phillips screws per clip. Fig. 2.

Fig. 2



6. Attach bumper bracket and bumper to panel sill using (2) # 8 x 1/2" phillips screws per bracket. Attach in a position where screws will not break glass (1/2" up from bottom of panel). Drill 1/8" pilot holes. Position so that bumper will catch the next panel and push it back. See Fig. 3.

Fig. 3



7. From outside, begin installing panels beginning with interior panel first and working outward. Install each panel by lifting panel so that panel guide straddles leg on frame head of proper track and swinging bottom of panel inward until panel sits on the proper track of sill. Adjust panel rollers so that panel jambs are parallel to frame jambs.

8. If your door requires a panel adapter, place adapter over "x" panel as shown in Fig. 4. Using pre-punched holes in adapter as a guide, drill 1/8" holes in panel jamb taking care not to drill into glass. Attach adapter to panel by using # 8 x 1 1/4" screws through drilled holes.

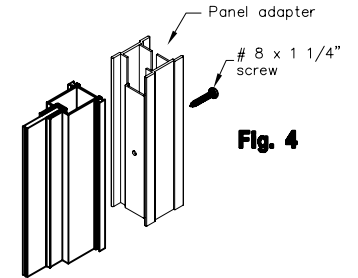


Fig. 4

9. Install stick-on dust plugs at each end of panel interlocks and panel adapter as shown in Fig. 5.

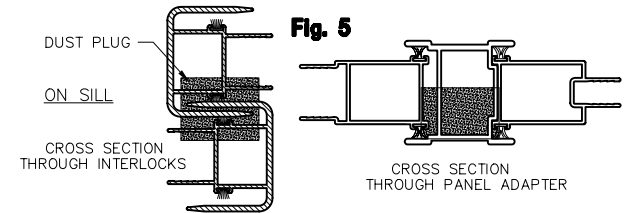


Fig. 5

10. Install locking hardware as per separate instruction sheet. Check operation; adjust rollers if necessary.

Series 430 ONLY

If you ordered OPTIONAL Screens

11. Your screen will be a two screen set. Install both screens on outside track with handle set toward your locking side and the other screen with interlock so it will interlock with exterior panel. Adjust rollers so that screen jambs are parallel to frame jambs. Place screen adapter over screen jamb as shown in Fig. 6. Drill (4) 1/8" holes equally spaced 3/16" from edge of adapter on each side. Attach adapter to screens using # 8 x 1/2" phillips screws.

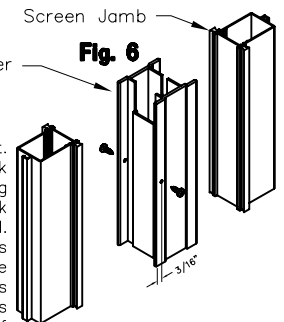
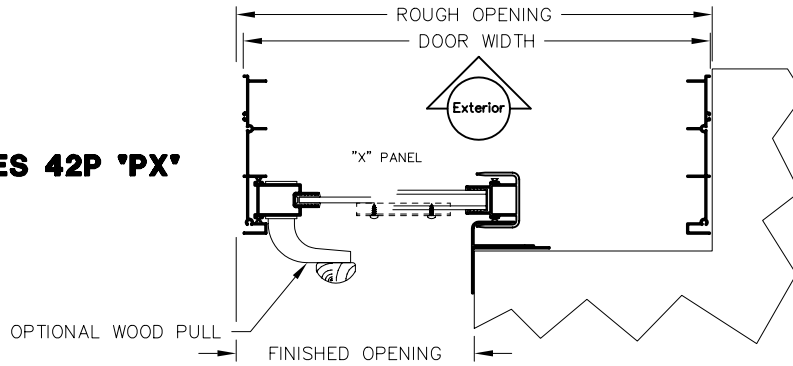


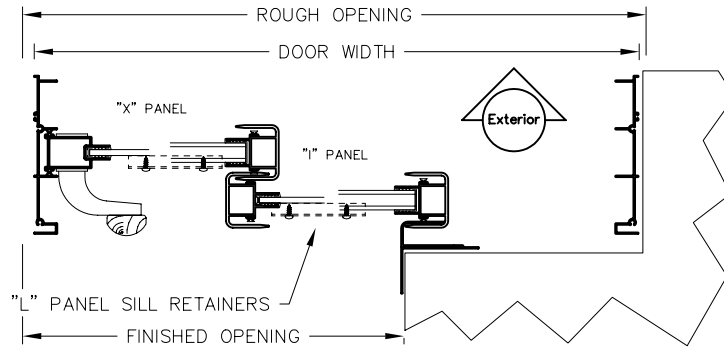
Fig. 6

SERIES 42P 'PX'



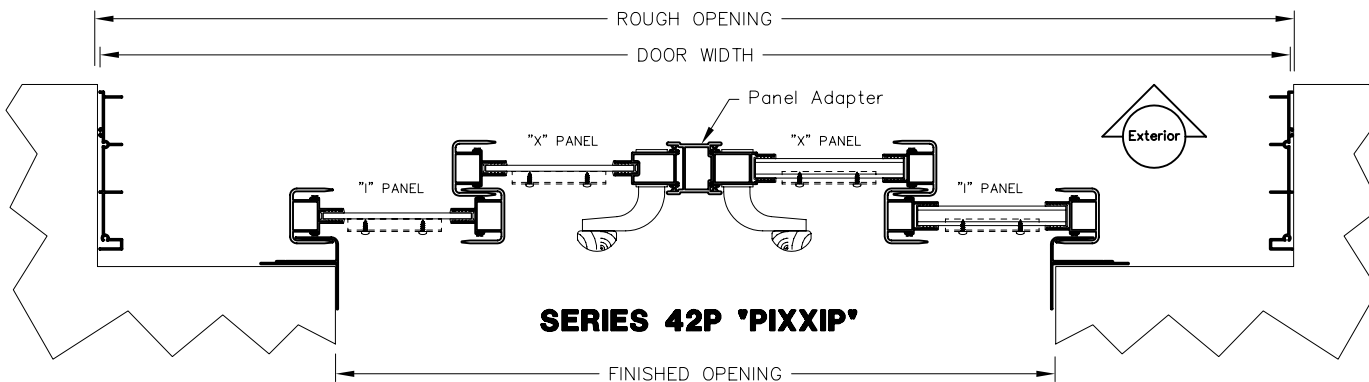
Nominal Size	Door Frame Dimension	Rough Opening	Finished Opening
2'6" x 6'8"	60" x 80"	60 1/2" x 80 1/2"	29 1/4"
3'0" x 6'8"	72" x 80"	72 1/2" x 80 1/2"	35 1/4"
4'0" x 6'8"	96" x 80"	96 1/2" x 80 1/2"	47 1/4"
5'0" x 6'8"	120" x 80"	120 1/2" x 80 1/2"	59 1/4"
2'6" x 8'0"	60" x 96"	60 1/2" x 96 1/2"	29 1/4"
3'0" x 8'0"	72" x 96"	72 1/2" x 96 1/2"	35 1/4"
4'0" x 8'0"	96" x 96"	96 1/2" x 96 1/2"	47 1/4"
5'0" x 8'0"	120" x 96"	120 1/2" x 96 1/2"	59 1/4"

SERIES 42P 'PIX'

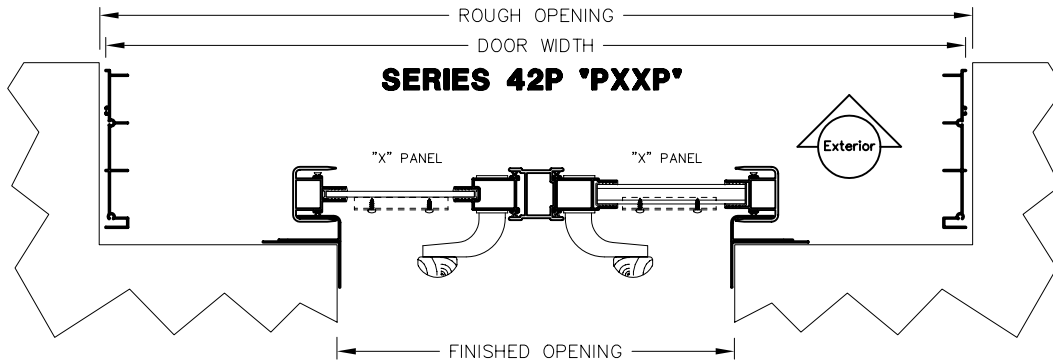


Nominal Size	Door Frame Dimension	Rough Opening	Finished Opening
5'0" x 6'8"	87 1/2" x 80"	88" x 80 1/2"	57 3/4"
6'0" x 6'8"	105 1/2" x 80"	106" x 80 1/2"	69 3/4"
8'0" x 6'8"	141 1/2" x 80"	142" x 80 1/2"	93 3/4"
10'0" x 6'8"	177 1/2" x 80"	178" x 80 1/2"	117 3/4"
5'0" x 8'0"	87 1/2" x 96"	88" x 96 1/2"	57 3/4"
6'0" x 8'0"	105 1/2" x 96"	106" x 96 1/2"	69 3/4"
8'0" x 8'0"	141 1/2" x 96"	142" x 96 1/2"	93 3/4"
10'0" x 8'0"	177 1/2" x 96"	178" x 96 1/2"	117 3/4"

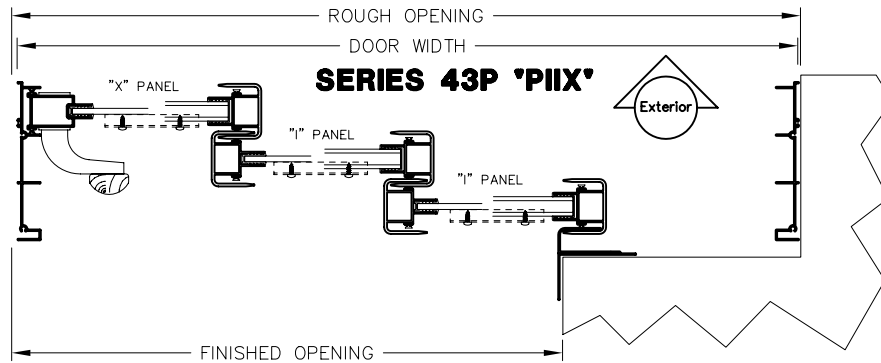
SERIES 42P 'PIXXIP'



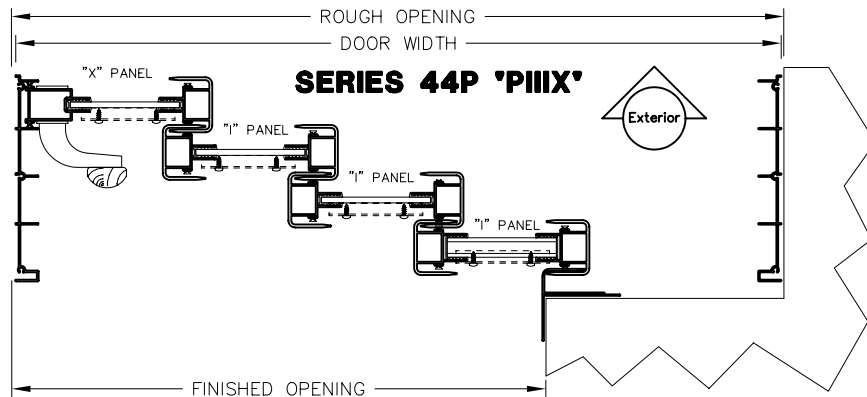
Nominal Size	Door Frame Dimension	Rough Opening	Finished Opening
10'0" x 6'8"	175 1/8" x 80"	175 5/8" x 80 1/2"	116"
12'0" x 6'8"	211 1/8" x 80"	211 5/8" x 80 1/2"	140"
16'0" x 6'8"	283 1/8" x 80"	283 5/8" x 80 1/2"	188"
10'0" x 8'0"	175 1/8" x 96"	175 5/8" x 96 1/2"	116"
12'0" x 8'0"	211 1/8" x 96"	211 5/8" x 96 1/2"	140"
16'0" x 8'0"	283 1/8" x 96"	283 5/8" x 96 1/2"	188"



NOM. SIZE	DOOR WIDTH	ROUGH OPENING	FINISHED OPENING
5'-0" X 6'-8"	120 5/8" X 80"	121 1/8" X 80 1/2"	59 1/16"
6'-0" X 6'-8"	144 5/8" X 80"	145 1/8" X 80 1/2"	71 1/16"
8'-0" X 6'-8"	192 5/8" X 80"	193 1/8" X 80 1/2"	95 1/16"
10'-0" X 6'-8"	240 5/8" X 80"	241 1/8" X 80 1/2"	119 1/16"
5'-0" X 8'-0"	120 5/8" X 96"	121 1/8" X 96 1/2"	59 1/16"
6'-0" X 8'-0"	144 5/8" X 96"	145 1/8" X 96 1/2"	71 1/16"
8'-0" X 8'-0"	192 5/8" X 96"	193 1/8" X 96 1/2"	95 1/16"
10'-0" X 8'-0"	240 5/8" X 96"	241 1/8" X 96 1/2"	119 1/16"

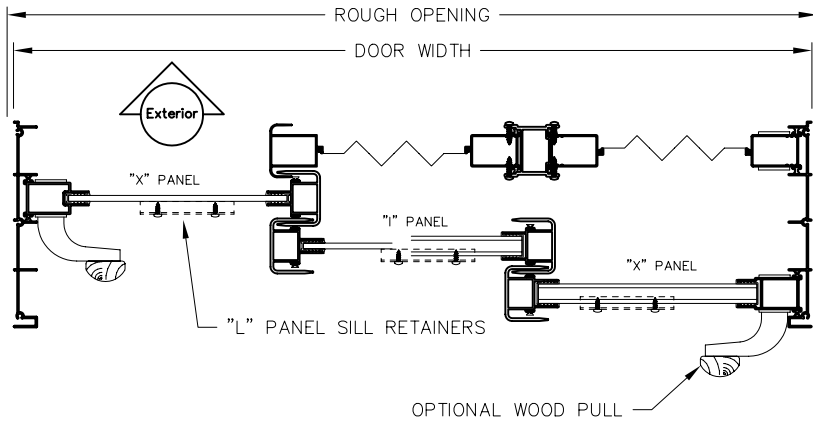


NOM. SIZE	FRAME SIZE	ROUGH OPENING	FINISHED OPENING
7'-6" X 6'-8"	116" X 80"	116 1/2" X 80 1/2"	86 3/8"
9'-0" X 6'-8"	140" X 80"	140 1/2" X 80 1/2"	104 3/8"
12'-0" X 6'-8"	188" X 80"	188 1/2" X 80 1/2"	140 3/8"
15'-0" X 6'-8"	236" X 80"	236 1/2" X 80 1/2"	176 3/8"
7'-6" X 8'-0"	116" X 96"	116 1/2" X 96 1/2"	86 3/8"
9'-0" X 8'-0"	140" X 96"	140 1/2" X 96 1/2"	104 3/8"
12'-0" X 8'-0"	188" X 96"	188 1/2" X 96 1/2"	140 3/8"
15'-0" X 8'-0"	236" X 96"	236 1/2" X 96 1/2"	176 3/8"



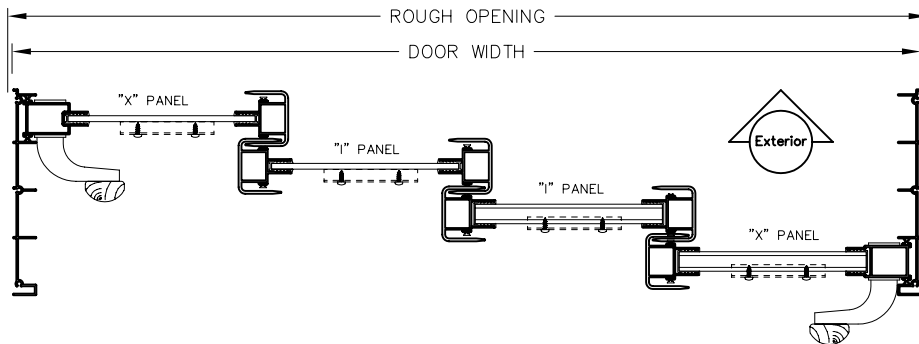
NOM. SIZE	FRAME SIZE	ROUGH OPENING	FINISHED OPENING
10'-0" X 6'-8"	144 1/2" X 80"	145" X 80 1/2"	114 7/8"
12'-0" X 6'-8"	174 1/2" X 80"	175" X 80 1/2"	138 7/8"
16'-0" X 6'-8"	234 1/2" X 80"	235" X 80 1/2"	186 7/8"
10'-0" X 8'-0"	144 1/2" X 96"	145" X 96 1/2"	114 7/8"
12'-0" X 8'-0"	174 1/2" X 96"	175" X 96 1/2"	138 7/8"
16'-0" X 8'-0"	234 1/2" X 96"	235" X 96 1/2"	186 7/8"

SERIES 430 3-PANEL 'XIX'



NOM. SIZE	FRAME DIM.	ROUGH OPENING
7'-6" X 6'-8"	88 15/16" X 80"	89 7/16" X 80 1/2"
9'-0" X 6'-8"	106 15/16" X 80"	107 7/16" X 80 1/2"
12'-0" X 6'-8"	142 15/16" X 80"	143 7/16" X 80 1/2"
7'-6" X 8'-0"	88 15/16" X 96"	89 7/16" X 96 1/2"
9'-0" X 8'-0"	106 15/16" X 96"	107 7/16" X 96 1/2"
12'-0" X 8'-0"	142 15/16" X 96"	143 7/16" X 96 1/2"

SERIES 440 4-PANEL 'XIIX'



NOM. SIZE	FRAME SIZE	ROUGH OPENING
10'-0" X 6'-8"	117 3/32" X 80"	117 5/8" X 80 1/2"
12'-0" X 6'-8"	141 3/32" X 80"	141 5/8" X 80 1/2"
16'-0" X 6'-8"	189 3/32" X 80"	189 5/8" X 80 1/2"
10'-0" X 8'-0"	117 3/32" X 96"	117 5/8" X 96 1/2"
12'-0" X 8'-0"	141 3/32" X 96"	141 5/8" X 96 1/2"
16'-0" X 8'-0"	189 3/32" X 96"	189 5/8" X 96 1/2"