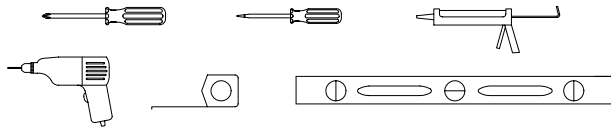


INSTALLATION INSTRUCTIONS

Series 420/430/440 Sliding Glass Doors

Series 42P/43P/44P Pocket Doors

TOOLS REQUIRED:



- PHILLIPS & SMALL FLAT SCREWDRIVERS
- SEALER & CAULKGUN
- ELECTRIC DRILL / SCREWGUN
- TAPE MEASURE
- LEVEL
- TAPERED WOOD SHIMS
- NAILS FOR OPTIONAL NAILING FIN (CERTAIN APPLICATIONS)
- #8 COLLARLESS MASONRY ANCHORS (CERTAIN APPLICATIONS)

JAMBS
(Non handed except for 8'-0" tall doors)

INSTRUCTIONS:

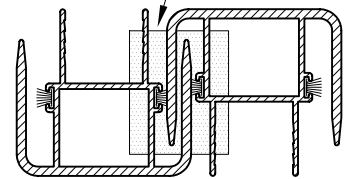
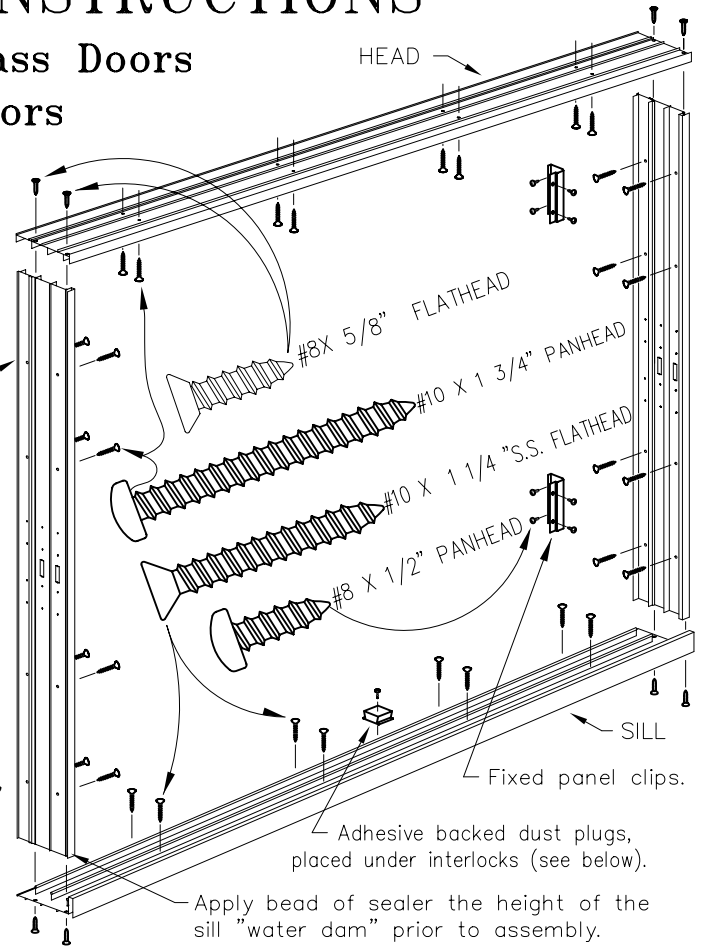
• BEFORE YOU BEGIN, COMPARE THE OVERALL DIMENSIONS OF THE FRAME TO THE ROUGH OPENING. MAKE SURE THE OPENING IS SQUARE AND PLUMB AND THAT THERE IS ADEQUATE CLEARANCE (APPROX. 1/4" ALL AROUND) FOR LEVELLING AND SHIMMING.

- 1) Layout head, jambs, and sill and assemble with eight #8 X 5/8" flathead screws. If optional nail fins are used, slide in tracks prior to assembly. Two people are recommended for assembly.
- 2) Apply a quality brand of non-hardening sealer such as silicone or silicized latex caulk to all outside corners of the frame, making sure to cover screw heads & threads at sill.
- 3a) FOR APPLICATIONS WHERE THE SILL WILL BE SCREWED DOWN, drill out the pre-formed countersinks in the sill. Apply sealant liberally to underside of sill. Place frame in opening (square, level, & plumb) and install screws in all mounting holes using shims as required. For concrete slab applications, drill through holes in sill and fasten with collarless anchors. Seal all screw heads in sill.
- 3b) FOR APPLICATIONS WHERE THE SILL WILL BE "MUD" LEVELLED, AAMA* advises that aluminum surfaces that will be in contact with mortar or plaster should be painted with an alkali resistant paint. Prepare mortar and install frame and fasten as in 3a).
- 4) Before installing panels, install dust plug(s) in sill track(s) directly underneath the panel interlock(s).
- 5) On two panel doors, install operating panel (from the outside) by lifting into innermost track.
- 6) Install second panel. If it is to be fixed, attach two fixed panel clips on inside of panel, approx. 12" from head and sill, with eight #8 x 1/2" screws. Adjust rollers as required.

Note: Do not force roller adjustment screws; lift panel to remove weight when adjusting.

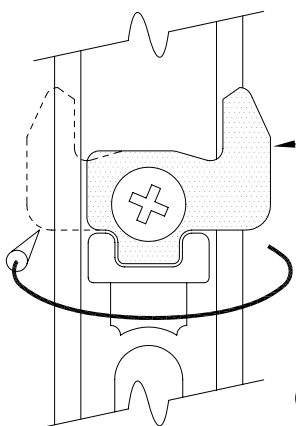
7) Install screen handle set, adjust rollers, and install screen like a standard glazed panel.

• FOR MORE COMPLICATED MULTI-PANEL STANDARD AND POCKET DOORS, PLEASE CONTACT YOUR DEALER FOR ROUGH OPENING INFORMATION AND YOU CAN REQUEST A DRAWING OF THE "PRODUCT DESIGN" FOR YOUR PARTICULAR SERIES. THIS WILL SHOW THE CORRECT ORIENTATION OF THE VARIOUS PANEL TYPES.

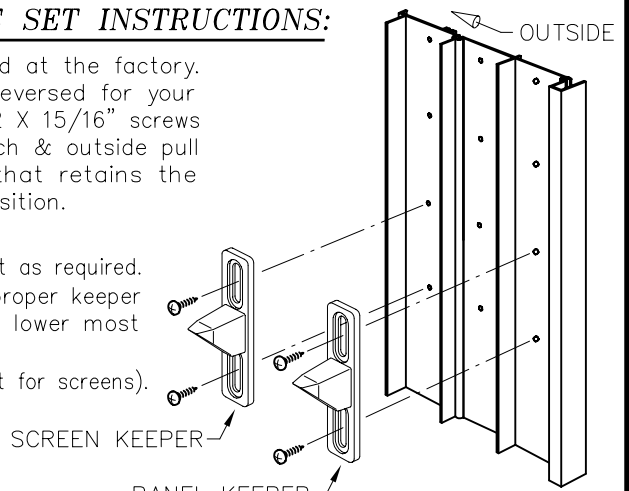


CROSS SECTION THROUGH INTERLOCKS

#99-04-145 (White) & 99-04-146 (Black) HANDLE SET INSTRUCTIONS:



- 1) The inside lock and outside pull are installed at the factory. The handing of the latch may need to be reversed for your application. To reverse, remove the two #10-32 X 15/16" screws on the inside of the handle. Remove the latch & outside pull from the panel stile. Remove the screw that retains the latch pawl and switch it to the opposite position.
 - 2) Re-assemble in reverse order.
 - 3) Install keepers with #8 X 5/8" screws and adjust as required. (Some roller adjustment may be required for proper keeper adjustment. Roller adjustment screws are the lower most screws at the bottom of the panel.)
- An optional inside wood pull handle is available (not for screens).
 - Specify 99-04-116 for white,
 - or 99-04-112 for black.
 (Longer #10-24 X 1 w " screws will be included.)
 - An optional key lock is available; specify 99-04-111



* AAMA is the American Architectural Manufacturers Assoc. This product is tested and certified to AAMA specifications.