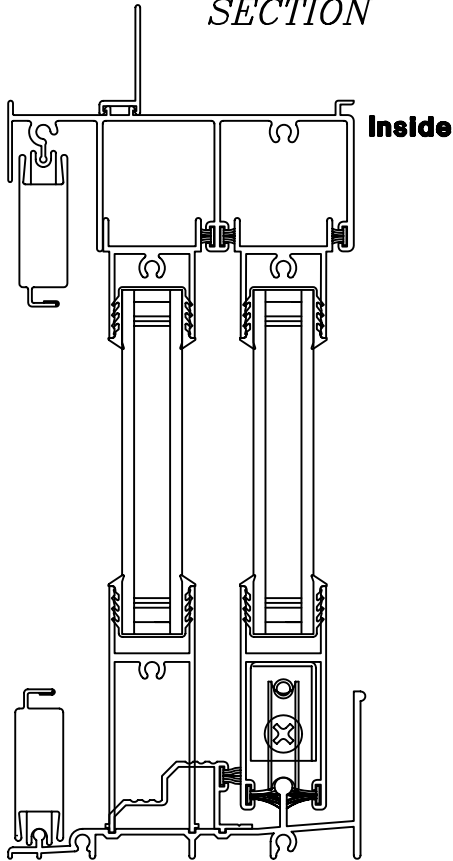


SERIES # 600 XO, OX SLIDING GLASS DOOR

*VERTICAL
SECTION*



SPECIFICATIONS

| | |
|--|----------------------------------|
| MARINE GLAZED | |
| SERIES # 600 SLIDING GLASS DOOR | |
| INSIDE FRAME DIMENSION | HORIZONTAL: CALL SIZE - 3/8" |
| | VERTICAL: CALL SIZE + 3/8" |
| ROUGH OPENING | HORIZONTAL: CALL SIZE + 1/8" |
| | VERTICAL: CALL SIZE + 7/8" |
| MINIMUM SIZE I.F.D. | 59 5/8" X 80 3/8" |
| MAXIMUM SIZE I.F.D. | 95 5/8" X 80 3/8" |
| SIZE TESTED: AAMA/NWDA 101/I.S. 2-97 SGD-R40 96 x 80 | |
| GLASS SIZE | HORIZONTAL: (CALL SIZE/2) - 2" |
| | VERTICAL: CALL SIZE - 4" |
| MAXIMUM OVERALL GLASS THICKNESS: | 5/8" |
| FINISHED SCREEN SIZE | HORIZONTAL: (CALL SIZE/2) + 1/2" |
| | VERTICAL: CALL SIZE - 1/2" |
| U-VALUE: .55 (WITH LOW-E GLASS) | |
| SHGC: .32 (WITH LOW-E GLASS AND WITH MUNTINS) | |
| HALF SCALE | DATE: 01/10/05 |
| DRAWN BY: FA | 600 XO DWG |

*HORIZONTAL
SECTION*

Inside

