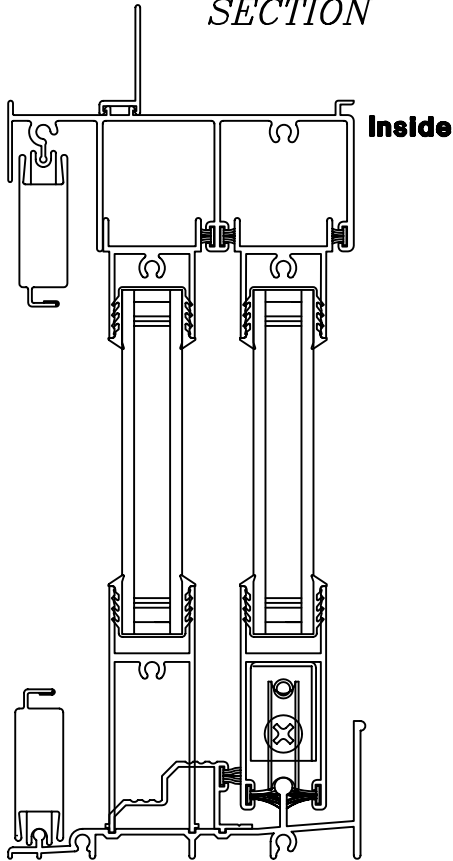


SERIES # 600 XO, OX SLIDING GLASS DOOR

*VERTICAL
SECTION*



SPECIFICATIONS

MARINE GLAZED	
SERIES # 600 SLIDING GLASS DOOR	
INSIDE FRAME DIMENSION	HORIZONTAL: CALL SIZE - 3/8"
	VERTICAL: CALL SIZE + 3/8"
ROUGH OPENING	HORIZONTAL: CALL SIZE + 1/8"
	VERTICAL: CALL SIZE + 7/8"
MINIMUM SIZE I.F.D.	59 5/8" X 80 3/8"
MAXIMUM SIZE I.F.D.	95 5/8" X 96 3/8"
SIZE TESTED: AAMA/NWDA 101/I.S. 2-97 SGD-C35 96 x 96	
GLASS SIZE	HORIZONTAL: (CALL SIZE/2) - 2"
	VERTICAL: CALL SIZE - 4"
MAXIMUM OVERALL GLASS THICKNESS:	5/8"
FINISHED SCREEN SIZE	HORIZONTAL: (CALL SIZE/2) + 1/2"
	VERTICAL: CALL SIZE - 1/2"
U-VALUE: .55 (WITH LOW-E GLASS)	
SHGC: .32 (WITH LOW-E GLASS AND WITH MUNTINS)	
HALF SCALE	DATE: 01/10/05
DRAWN BY: FA	600 XO DWG

*HORIZONTAL
SECTION*

